

Storage Rack System

Sediment cores and samples from the deep-sea floor are an essential work basis for marine geologists.

For their preservation, storing and transport we designed our storage rack system comprising storage boxes and adequate sediment core storage tubes (d-tubes) as well as liner tubes.

The modular system is available with insertable grids, bottom and side grids for all types of sediment boxes as well as for sample bags and big sample pieces. Each core segment is separately accessible.

The storage racks are designed for the transport in standard 20" containers and can be piled up to a maximum height of 6 meters.



Grid box

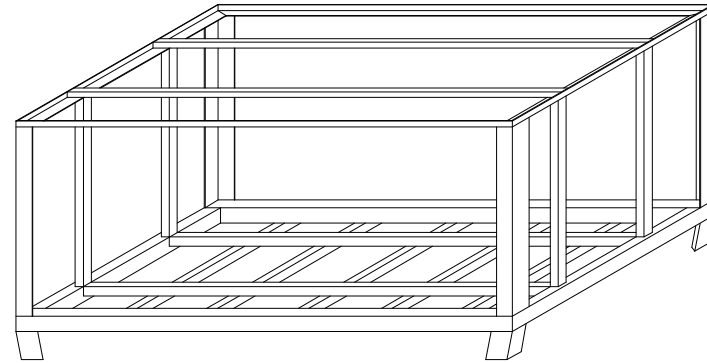
Basic rack:

- Frame
- Side grid, length or transverse vise
- 2 insertable grids, length or transverse vise

Weight: appr. 60kg

l x w x h (mm): 1653 x 1136 x 680

Material: galvanised steel, powder coated

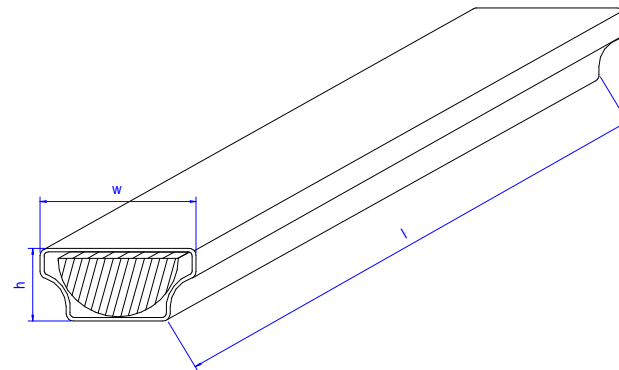


Sediment core storage tubes (“d-tubes”)

D-tubes are used for long term storing of sediment cores and protect them from contamination and moisture loss.

Sediment cores, mostly in cylindrical shape, are pressed into liner tubes. These are cut into two halves, one half each is then pushed into a d-tube.

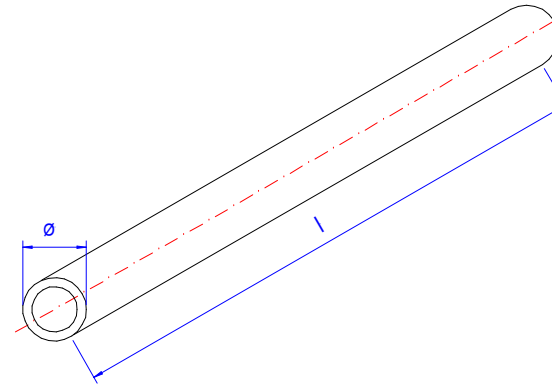
A wet, synthetic sponge regulates the humidity.



Liner tubes for cylindrical cores

KL 125 suitable for KR 135
 Diameter 125 x 2,5mm
 Length up to 5000mm
 Material: PVC; colour: grey

KL 90 suitable for KR 100
 Diameter 90 x 2,7mm
 Length up to 5000mm
 Material: PVC; colour: grey



Accessories: covers for liner tubes

(Other sizes on request)

Type D-Tube	l x w x h (mm)	Material	Colour	Liner tube	
2 covers					
KR 135-1600	1600 x 135 x 73	PVC	white	KL 125	
KR 135-1100	1100 x 135 x 73	PVC	white	KL 125	
KR 135-1100	1050 x 135 x 73	PVC	white	KL 125	
KR 100-1600	1600 x 100 x 55	PVC	white	KL 90	Accessories:
KR 100-1100	1100 x 100 x 55	PVC	white	KL 90	synthetic sponge & special adhesive