

## Pump K/MT 405

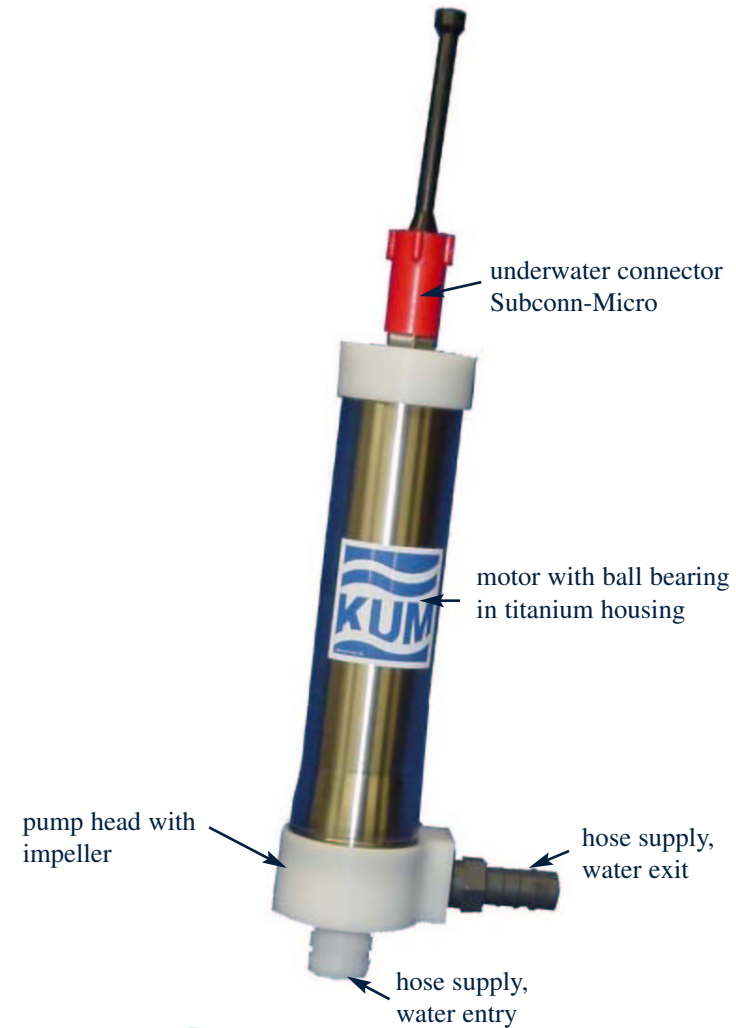
The compact submersible pump K/MT 405 in a pressure proof titanium housing is deployable up to 6000m depth.

It is made up of a centrifugal pump head / impeller and a ball bearing motor.

Both are magnetically coupled through the titanium housing. This avoids any water penetration, hence no additional sealing rings for the shaft are necessary.

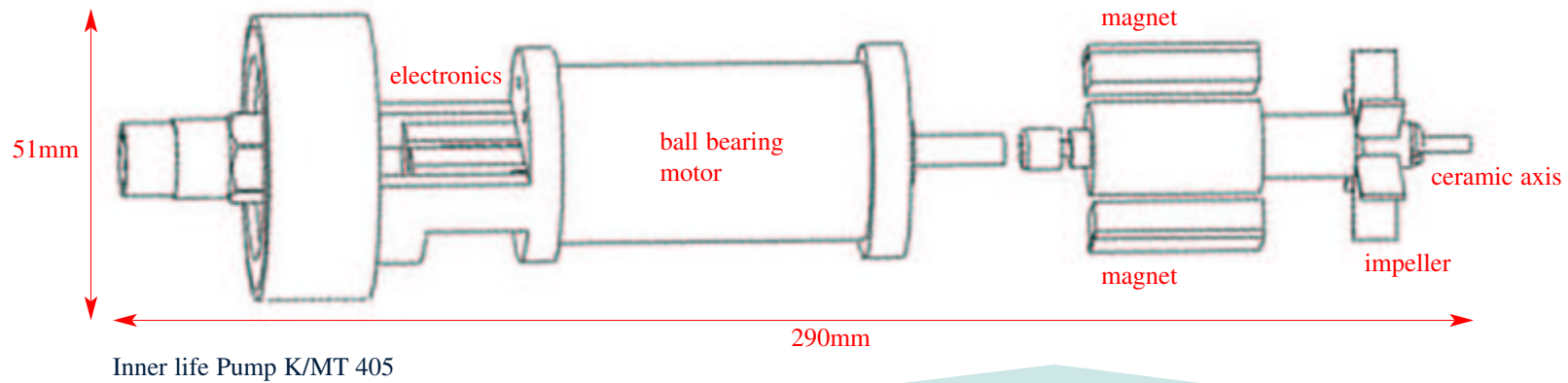
The external power supply is effected by means of a cable connection with an underwater Subconn-Micro connector.

In order to count the revolutions the pump optionally can be equipped with an electronic unit.

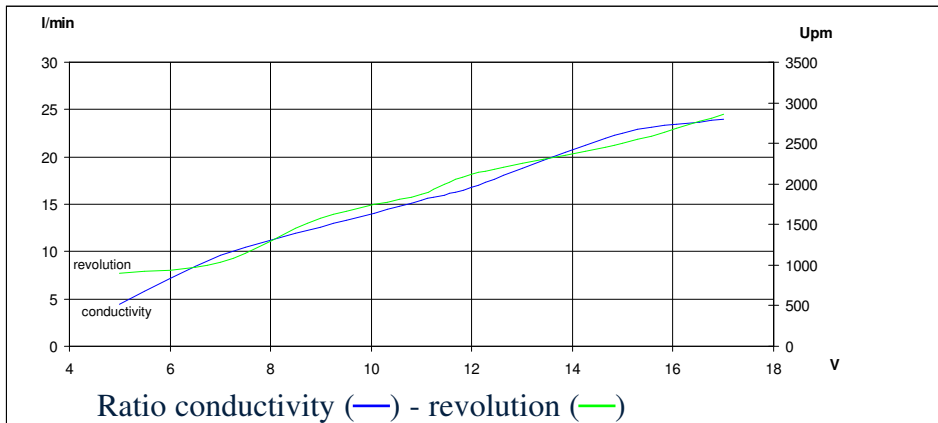
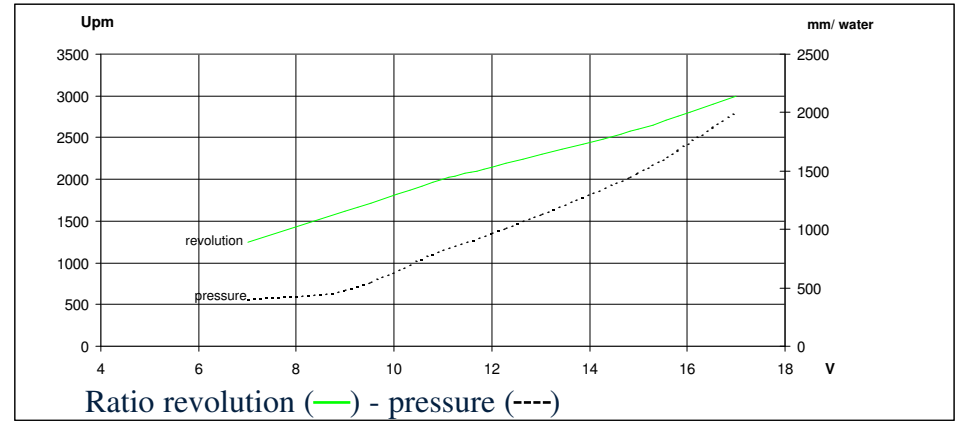
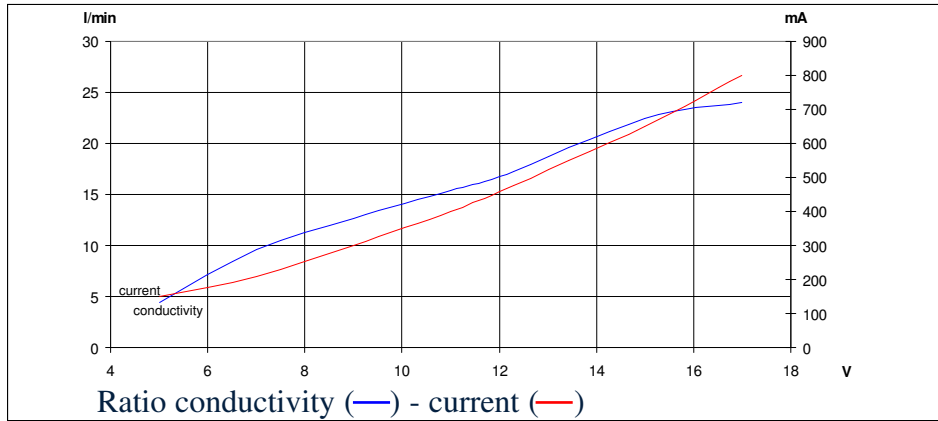


## Technical data

Measures:	length: 290mm diameter: 51mm	Impulse output:	5V TTL 1 impulse / revolution
Weight:	1,53kg air weight 1,00kg water weight	Material:	pump head, endcap: POM motor housing: titanium
Operation depth:	6000m	Features:	ball bearing motor magnet coupling motor-impeller impeller: ceramic axis and bearing option: exit for revolution
Power supply:	external supply through 4-pin Subconn-Micro connector, voltage: 10-17V		



## Characteristic curves



Product number:

K/MT 405

Article number:

1060